

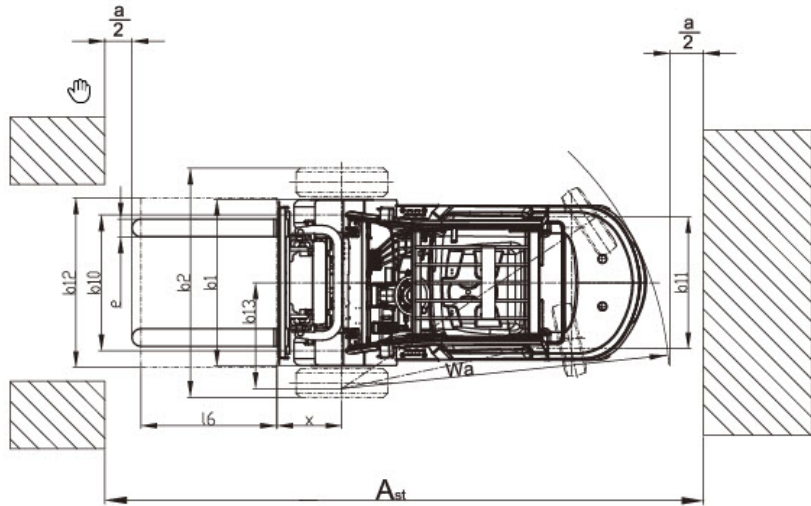
HYWORTH®

F O R K L I F T S

Hyworth 1.8T and 2.5T Gas Forklift

Distinguishing Mark	1.1	Hyworth 1.8T and 2.5T Gas Forklift			
	1.2	Model Number		H18FG	H25FG
	1.4	Operator Type		Seated	Seated
	1.5	Rated Capacity / rated load	Q (kg)	1750	2500
	1.6	Load centre distance	c (mm)	600	600
	1.8	Load centre distance	c (mm)	410	460
	1.9	Wheelbase	y (mm)	1475	1650
Weight	2.1	Service Weight	kg	2880	3850
	2.2	Axle loading: laden front / rear	kg	4110/520	5540/810
	2.3	Axle loading: unladen front / rear	kg	1290/1590	1560/2290
Tyres, chassis	3.1	Tyres		Pneumatic	Pneumatic
	3.2	Tyre Size: front	mm	6.5-10-10PR	7.00-12-12PR
	3.3	Tyre size: rear	mm	5.00-8-10PR	6.00-9-10PR
	3.5	Wheel: number front / rear (x + driven wheels)		2x/2	2x/2
	3.6	Tread: front	b10 (mm)	900	965
	3.7	Tread: rear	b11 (mm)	920	973
	Dimensions	4.1	Tilt of mast / fork carriage forward / backward	α/β (°)	6/12
4.2		Height: mast lowered	h1 (mm)	1995	1999
4.3		Free lift	h2 (mm)	155	160
4.4		Lift	h3 (mm)	4500	6000
4.5		Height: mast extended	h4 (mm)	3955	4045
4.7		Height of overhead guard STD	h6 (mm)	2120 (2200)	2120 (2200)
4.8		Deat height relating to SIP	h7 (mm)	1145	1145
4.12		Coupling height	h10 (mm)	310	320
4.19		Overall length	l1 (mm)	3240	3680
4.20		Length to face of forks	l2 (mm)	2320	2610
4.21		Overall width	b1 (mm)	1090 / 1485	1155/1595
4.22		Fork dimensions ISO 2331	s/e/l (mm)	35x100x920	40x122x1070
4.23		Fork carriage DIN 15 173 – ISO 2328: class type A,B		Class A	Class A
4.24		Fork carriage width	b3 (mm)	1000	1038
4.25		Distance between fork arms	b2 (mm)	226-970	252-1020
4.31		Ground clearance, laden, below mast	m1 (mm)	115	105
4.32		Ground clearance, centre of wheelbase	m2 (mm)	145	150
4.34.1		Aisle width for pallets 1000 x 1200 crossways	Ast (mm)	3670	3990
4.34.2		Aisle width for pallets 800 x 1200 lengthways	Ast (mm)	3870	4190
4.35		Turning radius	Wa (mm)	2060	2330
4.36	Internal turning radius	b13 (mm)	600	780	
Performance Data	5.1	Travel speed: laden / unladen	km/h	18/19	16.5/17.5
	5.2	Lift speed: laden / unladen	m/s	0.58/0.62	0.62/0.62
	5.3	Lowering speed: laden / unladen	m/s	0.45/0.50	0.45/0.50
	5.5	Drawbar pull: laden / unladen	N	14600/10500	19800/12500
	5.7	Gradeability: laden / unladen	%	20/20	20/20
	5.10	Service brake		Hydraulic	Hydraulic
	5.11	Parking brake		Mechanical	Mechanical
Combustion engine	7.1	Engine Manufacturer / type		Yanmar / 4TNE92	Yanmar/4TNE92
	7.2	Engine power	kW	34.6	34.6
	7.3	Rated speed	r/min	2400	2400
	7.4	Number of cylinders / displacements	(-) / (cm3)	4/3054	4/3054
	7.9	Vehicle electric system voltage	V	12	12
	7.10	Battery voltage / nominal capacity	V/Ah	12/90	12/90

		Rated torque	N-m/r/min	191.5 ~208.5/1500	191.5 ~208.5/1500
		Transmissions Manufacturer		F (CHINA)	F (CHINA)
		Transmissions Type		Powershift	Powershift
		Stage FWD / RVS		1/1	1/1
Additional data	10.1	Operating pressure for attachments	bar	175	175
	10.2	Oil volume for attachments	l/min	60	60
	10.3	Hydraulic Tank = capacity (drain & fill)	litre	65	65
	10.4	Fuel tank capacity	litre	65	65
	10.7	Sound level at the drivers ear according to EN/DIN 12 053	dβ (A)	85	85



$$A_{st}=L_6+x+W_a+a \quad a=200mm$$

H25FG45

Lift height - 4500mm
Collapsed height - 2135mm
Width - 1120mm

H25FG60

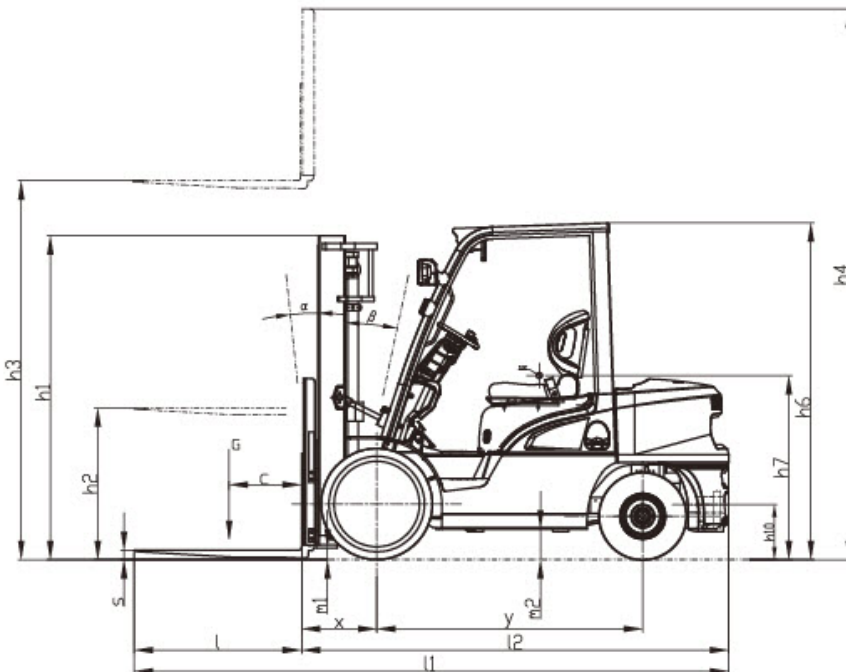
Lift height - 6000mm
Collapsed height - 2814mm
Width - 1120mm

H18FG45

Lift height - 4500mm
Collapsed height - 2110mm
Width - 1485mm

H18FG60

Lift height - 6000mm
Collapsed height - 2810mm
Width - 1110mm



HYWORTH®
FORKLIFTS

Address: 2/9 Pritchard Place PEAKHURST NSW 2210

Phone: 1300 HYWORTH (1300 499 678)

Email: info@hyworthforklifts.com.au

Web: www.hyworthforklifts.com.au