

HYWORTH
FORKLIFTS

QUARANTINE BAY



Watch the 3
Wheel Electric
Counterbalance
in action



1.8T 3 Wheel Electric Counterbalance

H18BE3W

Load capacity
1.8 tonne



Collapsed height
Multi Mast Configuration



Lift height
Multi Mast Configuration



Manoeuvrability



Ease of use





The Hyworth 1.8T 3 Wheel Electric Counterbalance is the perfect ride-on counterbalance alternative for a clean work environment.



Designed to function optimally in incredibly tight working areas, the 3 Wheel Electric Counterbalance offers a lower minimum aisle width than most forklifts in its category.

The 3 Wheel Electric Counterbalance is the best alternative to LPG counterbalance forklifts as it eliminates workplace noise and fuel emissions for pleasant and safe working conditions. Offering the tightest turning circle in its class, the 3 Wheel Electric Counterbalance is suitable for light material applications. Perfect for work environments with poor airflow, food-grade facilities, manufacturing, warehousing and distribution.

This model offers versatility and adaptability in terms of mast configuration, fork lengths and flexible attachment options to suit various material handling applications. Due to new and existing businesses migrating from the traditional LPG counterbalance models, the three-wheeled counterbalance forklift is the fastest-growing category. It provides a niche for 1.8-tonne capacity forklifts unavailable in LPG forklift counterparts.

Compact design

Increases storage capacity and improves your overall warehouse layout with the ability to navigate through tight spaces and narrow aisles easily.

Improved performance

AC drive and lift motors lead to more efficient and quieter operations, reduced maintenance, and smooth and precise control resulting in improved performance overall.

Energy efficient

An environmentally-friendly electric battery saves you money in the long run, improves air quality and reduces noise.

Increased manoeuvrability

Navigate through confined spaces and easily make sharp turns with a tight turning radius, ideal for narrow work environments.

Versatile

Adapt perfectly to different work environments, including indoor and outdoor operations, with multiple work mode settings.

Environmentally friendly

Contribute to improved air quality with an environmentally friendly machine, producing no emissions or hazardous chemicals.

Safety & Ergonomics

Silent operation - Experience a more pleasant and comfortable work environment with no noise reduction, which is particularly critical for indoor operations.

No fuel emissions - Reduce your carbon footprint and contribute to a cleaner, more sustainable environment with an electric battery.

Operator presence system - Prevent accidents and minimise risks by requiring the presence of an authorised operator in their seat to start the machine.

Suspension seat - Enhance comfort, minimise fatigue, and improve safety and stability by reducing the risk of operator instability or control loss.

Reverse rear horn - Enhance safety and prevent accidents by emitting a loud warning signal to alert nearby pedestrians and workers when reversing.

Efficiency & Productivity

Multiple work mode settings - Maximise workplace efficiency with the option to adapt to different tasks and operating conditions.

Silent operation - Experience a more pleasant and comfortable work environment with no noise reduction, which is particularly critical for indoor operations.

Short turning radius - Precisely navigate through narrow aisles, cramped warehouses and other congested areas.

Long-running operation time - Increase workplace productivity by performing tasks for extended periods without stopping and recharging.

High gradeability - Operate effectively on various terrains whilst maintaining quality performance and productivity.

Enhance reach & accessibility - Access and transport loads in tight corners or areas with low overhead clearance, improving operational efficiency.

Serviceability & Reliability

Puncture-proof tyres - Enhance operator safety by reducing the risk of punctures and rapid loss of air pressure and reduce downtime spent replacing flat tyres.

Multi-colour dashboard display - Improve safety with a user-friendly interface that helps the operator navigate different functions or menus easily.

Periodic maintenance - Extend the lifespan of your forklift and ensure your equipment is reliable by being prompted after 250 hours or six months when your forklift is due for maintenance.

3-Year Manufacturer's Parts and Labour Warranty - Avoid out-of-pocket expenses, with the added peace of mind that your machine has a 3-year warranty.

Fixed price servicing - Reduce the cost of downtime and ensure a consistent, reliable service every time with Hyworth's fixed-priced servicing.

Comprehensive parts availability - Reduce downtime, repair the machine quickly and save money with readily available parts to keep your business moving.



Features

Safety/ergonomics

No fuel emissions	Included
Silent operation	Included
Operator presence system	Included
LED headlights	Included
LED tail lights	Included
LED indicator lights	Included
Side mirror	Included
Rotating/flashing LED beacon	Included
Suspension seat	Included
Reverse rear horn	Included
Blue LED safety lights	<i>Optional</i>
Bluetooth wireless camera	<i>Optional</i>
Fire extinguisher	<i>Optional</i>
Panoramic mirror	<i>Optional</i>
Load guard options	<i>Optional</i>
Roof cover	<i>Optional</i>



Efficiency/productivity



Side-shift attachment	Included
Multiple work mode settings	Included
Dual AC drive motors	Included
AC lift motor	Included
Tight turning radius	Included
Long operation time between charge	Included
High gradability	Included
Various mast configuration	<i>Optional</i>
Non-marking tyres and lift heights	<i>Optional</i>
Container ramp	<i>Optional</i>
Various fork lengths	<i>Optional</i>
Slipper extensions	<i>Optional</i>
Digital weight gauge	<i>Optional</i>

Serviceability/reliability

Single-point watering system	Included
Puncture proof tyres	Included
Periodic maintenance 250 hours or 6 months, whichever comes first	Included
3-Year Manufacturer's Parts and Labour warranty	Included
Fixed price service schedule	Included
Comprehensive parts availability	Included





345



HYWORTH

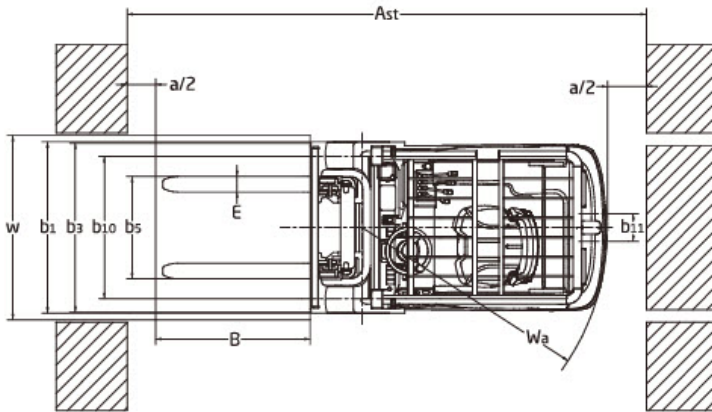
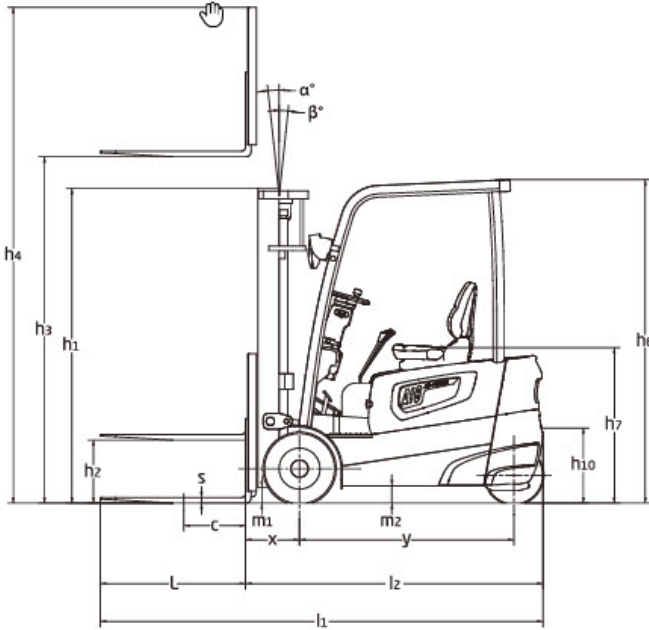
18

HYWORTH

Technical Specifications

Distinguishing Mark	1.1	Hyworth 1.8T 3 Wheel Electric Counterbalance		
	1.2	Model Number		H18BE3W48
	1.4	Operator Type		Seated
	1.5	Rated Capacity / rated load	Q (kg)	1800
	1.6	Load centre distance	c (mm)	600
	1.8	Load centre distance	c (mm)	360
	1.9	Wheelbase	y (mm)	1358
Weight	2.1	Service Weight	kg	3240
	2.2	Axle loading: laden front / rear	kg	4350 / 690
	2.3	Axle loading: unladen front / rear	kg	1440 / 1800
Tyres, chassis	3.1	Tyres		solid
	3.2	Tyre Size: front	mm	18 x 7 - 8
	3.3	Tyre size: rear	mm	15 x 4.5 - 8
	3.5	Wheel: number front / rear (x + driven wheels)		2 x /2
	3.6	Tread: front	b10 (mm)	910
	3.7	Tread: rear	b11 (mm)	175
	Dimensions	4.1	Tilt pf mast / fork carriage forward / backward	α/β (°)
4.2		Height: mast lowered	h1 (mm)	2175
4.3		Free lift	h2 (mm)	145
4.4		Lift	h3 (mm)	4800
4.5		Height: mast extended	h4 (mm)	5755
4.7		Height of overhead guard STD	h6 (mm)	2040
4.9		Seat height / stand height	h7 (mm)	1000
4.12		Coupling height	h10 (mm)	500
4.19		Overall length	l1 (mm)	2823
4.20		Length to face of forks	l2 (mm)	1903
4.21		Overall width	b1 (mm)	1086
4.22		Fork dimensions ISO 2331	s/e/l (mm)	35/100/920
4.23		Fork carriage DIN 15 173 - ISO 2328: class type A,B ISO2328 2A	Collapsed Height	2175mm
4.24		Fork carriage width	b3 (mm)	1000
4.25		Distance between fork arms	b2 (mm)	240/1000
4.31		Ground clearance, laden, below mast	m1 (mm)	100
4.32		Ground clearance, centre of wheelbase	m2 (mm)	110
4.34.1		Aisle width for pallets 1000 x 1200 crossways	Ast (mm)	3237
4.34.2		Aisle width for pallets 800 x 1200 lengthways	Ast (mm)	3360
4.35		Turning radius	Wa (mm)	1555
4.36	Internal turning radius	b13 (mm)	16/16	
Performance Data	5.1	Travel speed: laden / unladen	km/h	0.390/0.470
	5.2	Lift speed: laden / unladen	m/s	0.460/0.440
	5.3	Lowering speed: laden / unladen	m/s	3200/3800
	5.5	Drawbar pull: laden / unladen	N	11500 / 11400
	5.6	Max. Drawbar pull: laden / unladen	N	15/17
	5.7	Gradeability: laden / unladen	%	18/20
	5.8	Max. Gradeability: laden / unladen	%	4.8/4.4
	5.10	Service brake		Hydraulic
	5.11	Parking brake		Mechanical
	Electric engine	6.1	Drive motor rating S2 60 min	kW
6.2		Lift motor rating at S3 15%	kW	9.5 AC
6.3		Battery acc. To DIN 43 531/35/36 A,B,C no		DIN43531 A
6.4		Battery voltage: rated capacity	V/Ah	48/400
6.5		Battery weight	kg	920
		Battery dimensions	l/b/h (mm)	830x630x627

	6.6	Energy Consumptions acc. to VDI cycle	kWh/h	4.4
		Minimum battery weight	kg	850
		Maximum battery weight	kg	1000
	8.1	Type of drive control		MOSFET/AC
	9.1	Manufacturer		CURTIS
Additional data	10.1	Operating pressure for attachments	bar	150
	10.2	Oil volume for attachments	l/min	35
	10.3	Hydraulic Tank = capacity (drain & fill)	litre	26
	10.7	Sound level at the drivers ear according to EN/DIN 12 053	dβ (A)	73
	10.8	Towing coupling, type DIN		ø24 Pin



a=200mm safety clearance

$$Ast = a + Wa + \sqrt{(X+B)^2 + (W/2)^2}$$

X: Load distance

B: Length of load or forks which is longer

HYWORTH®

FORKLIFTS

2/12 Weld Street PRESTONS NSW 2170

1300 HYWORTH (1300 499 678)

info@hyworthforklifts.com.au

www.hyworthforklifts.com.au