



Watch the
Gas Forklift
in action



Hyworth 2.5T Gas Forklift 6m Lift H25FG60

Load capacity
2.5 tonne



Collapsed height
2.814m



Lift height
6m



Manoeuvrability



Ease of use





The Hyworth 2.5T Gas Forklift is adaptable and versatile, perfect for flexible work environments and changing conditions.



Powered by a trusted and dependable Nissan K25 engine, this plays an integral role in keeping businesses moving.

The Hyworth 2.5T Gas Forklift with 6m lift height is perfect for hard to reach high bay pallet racking. Powered by an industry-leading engine, this machine is ahead of the game in terms of reliability and durability.

Delivering excellent fuel economy, a high capacity lift and fast acceleration, this model is highly versatile and adaptable to indoor and outdoor work environments. Running on LPG, the model is more environmentally friendly than its diesel counterparts. It's also packed with safety features, including an operator presence system, LED lights, flashing beacon, suspension seat and swing-down gas bottle brackets to minimise accidents and exhaustion to operators.

Streamline inventory management

Designed for high pallet racking lifts, the forklift enables storage optimisation, increased productivity and streamlines inventory management.

Enhance operator safety

Prevent accidents with the operator presence system by ensuring that the forklift starts only when a qualified operator is in the vehicle.

Convenience

Operate safely and legally on public roads with a road-registered vehicle, saving you time and money on additional transportation.

Increased versatility

Operate efficiently in indoor and outdoor conditions, with this machine's ability to handle demanding warehouse operations.

Powerful

Withstand demanding conditions with a K25 Nissan engine, delivering sufficient power and consistent performance to handle various tasks over extended periods.

Safety & Ergonomics

Operator presence system - Prevent accidents and minimise risks by requiring the presence of an authorised operator in their seat to start the machine.

Reverse handle horn - Enhance safety and prevent accidents by emitting a loud warning signal to alert nearby pedestrians and workers when reversing.

Suspension seat - Enhance comfort, minimise fatigue, improve safety and stability by reducing the risk of operator instability or control loss.

LED lights - Save money with energy-efficient LED lights and their longer lifespan, despite their higher upfront costs.

Flashing/amber rotating beacon - Avoid hazards or unsafe conditions with highly visible warning signals drawing attention to hazards or restricted areas.

Swing down gas bottle bracket - Provide secure and easily accessible storage space for gas bottles or cylinders.

Efficiency & Productivity

K25 Nissan engine - Withstand harsh operating conditions and contribute to a cleaner and healthier working environment with a powerful heavy-duty engine.

Fast acceleration - Navigate corners, turn easily and respond quickly to changing conditions with quick acceleration.

Side-shift as standard - Save time and reduce operator fatigue by eliminating the need to reposition loads on the forklift constantly.

High fuel efficiency - Reduce your environmental impact, save money and reduce downtime spent refuelling.

High lift capacity - Increase your productivity by efficiently handling heavier loads, reducing the need for additional trips, manpower or machines.

Puncture-proof tyres - Eliminate downtime and the cost of repairing damaged tyres with durable tyres that are less prone to wear and tear.

Serviceability & Reliability

Japanese K25 Nissan engine - Keep your business moving with fewer breakdowns and less frequent repairs with a durable, trusted and reliable engine.

3-Year Manufacturer's Parts and Labour Warranty - Avoid out-of-pocket expenses, with the added peace of mind that your machine has a 3-year warranty.

Comprehension parts availability - Reduce downtime, repair the machine quickly and save money with readily available parts to keep your business moving.

Periodic maintenance - Extend the lifespan of your forklift and ensure your equipment is reliable by being prompted after 250 hours or six months when your forklift is due for maintenance.

Fixed-price servicing - Reduce the cost of downtime and ensure a consistent, reliable service every time with Hyworth's fixed-priced servicing.

Straight gas LPG system - Reduce your environmental impact and save money with the economical fuel option of LPG.



Features

Safety/ergonomics

Operator presence system	Included
LED headlights	Included
Tail lights	Included
Indicator lights	Included
Side mirror	Included
Rotating/flashing beacon	Included
Suspension seat	Included
Swing down gas bottle bracket	Included
Blue LED safety light	Optional
Load guard options	Optional
Panoramic mirror	Optional
Fire extinguisher	Optional
Roof cover	Optional
Bluetooth wireless camera	Optional



Efficiency/productivity

K25 Nissan engine	Included
Sideshift	Included
High gradeability	Included
High lift capacity	Included
Fast acceleration	Included
Container ramp	Optional
Side-shifting fork positioner	Optional
Slipper extensions	Optional
Longer fork tynes	Optional
Digital weight gauge	Optional
Higher lift height masts up to 6m	Optional

Serviceability/reliability

Trusted and reliable Japanese K25 Nissan engine	Included
Straight gas LPG system	Included
Periodic maintenance 250 hours or six months (whichever comes first)	Included
3-Year Manufacturer's Warranty - full parts & labour	Included
Fixed-priced servicing	Included
Comprehension parts availability	Included
Non-marking tyres	Optional





SAFE WORKING UNIT LOADS

Height	Capacity
1000	10
1000	10
2000	
4000	

NOTE: Capacity is limited by load distribution and stability. Always use proper tie-down technique. Always use proper tie-down technique.

SAFETY DATA SHEET

DC

HYWORTH

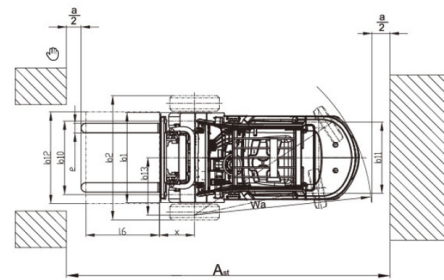
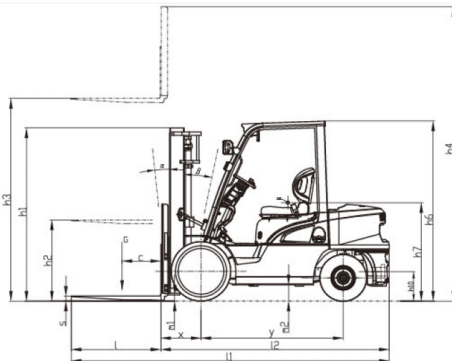
25

HYWORTH

Technical Specifications

2.5T Gas Forklift Specification

Distinguishing marks	1.1	Manufacturer		HYWORTH
	1.2	Manufacturer's type designation		H25FG60
	1.3	Drive: LPG/Gas		LPG/Gas
	1.4	Operator type		Counterbalance
	1.5	Rated capacity/rated load	Q (kg)	2500
	1.6	Load centre distance	c (mm)	600
	1.7	Wheelbase	y (mm)	1650
	1.8	Collapsed height	mm	2814
Weight	2.1	Service Weight	kg	3850
	2.2	Axle loading: laden front / rear	kg	5540 / 810
	2.3	Axle loading: unladen front / rear	kg	1560 / 2290
Wheels, Chassis	3.1	Tyres		solid
	3.2	Tyre size, front	mm	7-12-12PR
	3.3	Tyre size, rear	mm	6.00-9-10PR
	3.4	Wheels, number front / rear (x = driven wheels)		2x/2
	3.5	Tread: front / rear	b ₁₁ / b ₁₁ (mm)	965 / 973
Basic Dimensions	4.1	Tilt of mast / fork carriage forward / backward	α/β(°)	6/12
	4.2	Height, mast lowered	h ₁ (mm)	1999
	4.3	Free Lift / Lift	h ₂ / h ₃ (mm)	160 / 6000
	4.4	Height, mast extended	h ₄ (mm)	7046
	4.5	Height of overhead guard STD	h ₆ (mm)	2120
	4.6	Seat height relating to SIP	h ₇ (mm)	1145
	4.7	Coupling Height	h ₁₀ (mm)	320
	4.8	Overall length	l ₁ (mm)	2680
	4.9	Length to face of forks	l ₂ (mm)	2610
	4.10	Overall width	b ₁ (mm)	1155
	4.11	Fork dimensions	s/e/l (mm)	40/122/1070
	4.12	Fork-carriage width	b ₃ (mm)	1038
	4.13	Distance between fork-arms	b ₂ (mm)	252-1020
	4.14	Ground clearance, claden, below mast	m ₁ (mm)	105
	4.15	Ground clearance, centre of wheelbase	l ₄ (mm)	150
4.16	Aisle width for pallets 1000 1200 crossways	A _{st} (mm)	3990	
4.17	Aisle width for pallets 1000 1200 lengthways	A _{st} (mm)	4190	
4.18	Turning radius	W _a (mm)	2330	
4.19	Internal turning radius	b ₁₃ (mm)	780	
4.20	Fork carriage DIN 15 173-ISO2328 Class type A, B		Class A	
Performance Data	5.1	Travel speed: laden/unladen	km/h	16.5/17.5
	5.2	Lift speed: laden/unladen	m/s	0.62/0.62
	5.3	Lowering speed, laden/unladen	m/s	0.45/0.50
	5.4	Drawbar pull: laden/unladen	N	19800/12500
	5.5	Gradeability: laden / unladen	%	20/20
	5.6	Service brake		Hydraulic
	5.7	Parking brake		Mechanical
Combustion engine	6.1	Engine Manufacturer / type		Nissan K25
	6.2	Engine power	kw	37.4
	6.3	Number of cylinders / displacements	(-) / (cm ³)	4/2488
	6.4	Vehicle electric system voltage	V	12
	6.5	Battery voltage/nominal capacity	V/Ah	12/90
	6.6	Rated torque	N-m/r/min	191.5 - 208.5/1500
	6.7	Transmissions Type		Powershift
	6.8	Stage FWD / RVS		1/1
Additional	7.1	Operating pressure for attachments	bar	175
	7.2	Oil volume for attachments	l/min	60
	7.3	Hydraulic tank = capacity (drain & fill) and fuel tank capacity	litre	65
	7.4	Sound level at the drivers ear according to EN/DIN 12 053	db (A)	85



$$A_{st} = L_6 \cdot X + W_a + a \quad a = 200 \text{ mm}$$

HYWORTH®
FORKLIFTS

Address: 2/12 Weld Street PRESTONS NSW 2170
Phone: 1300 HYWORTH (1300 499 678)
Email: info@hyworthforklifts.com.au
Web: www.hyworthforklifts.com.au